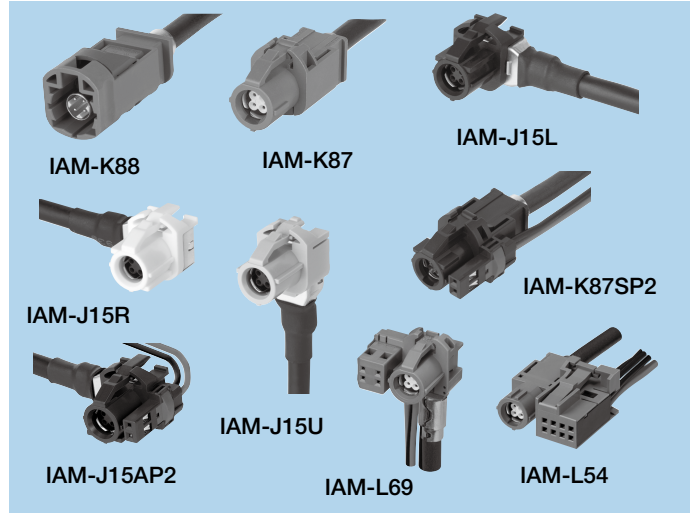


HSD Cable Connectors

IAM-K88, K87, J15U/L/R/AP2, K87SP2, L53, L69, L54

FEATURES

1. Capable of high speed data transmission such as USB2.0, LVDS, and Ethernet, etc.
2. Selectable variations of mounting requirements. (Straight type / Angle type.)
3. Each coding (mating key) is available.
4. Compliant with RoHS Directive.



SPECIFICATIONS

ELECTRICAL CHARACTERISTICS

IAM-K88/K87/AP2/L53 (Straight type)

Rated Voltage	100V DC
Rated Current	1.5A DC
Characteristic Impedance	100Ω
Insertion Loss	≦0.1dB to 1GHz
Return Loss	≦-20dB to 1GHz ≦-17dB to 2GHz

IAM-J15U/L/R/AP2 (Angle type)

Rated Voltage	100V DC
Rated Current	1.5A DC
Characteristic Impedance	100Ω
Insertion Loss	≦0.01dB to 500MHz
Return Loss	≦-25dB to 100MHz ≦-15dB to 500MHz ≦-10dB to 1GHz

MECHANICAL CHARACTERISTICS

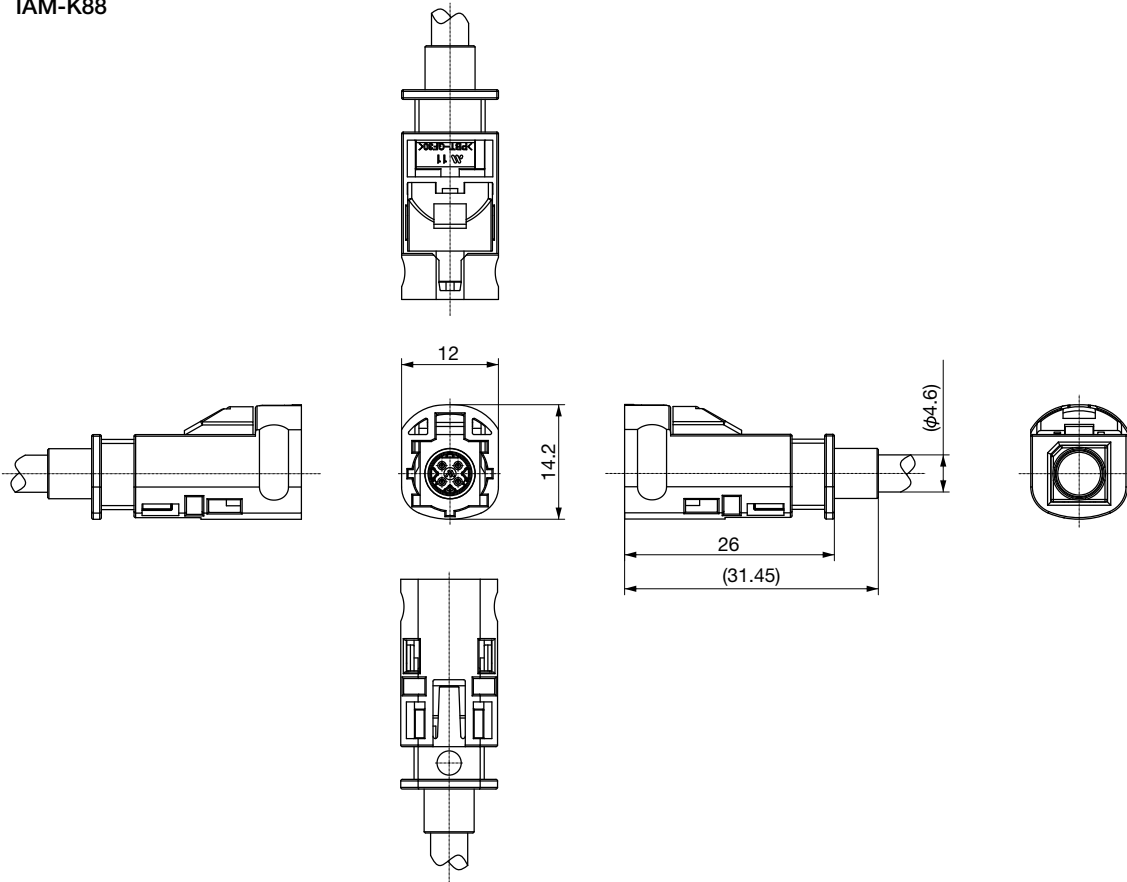
Life (Mating Cycle)	25 times
Total Insertion Force	≦30N
Total Withdrawal Force	5N to 25N

MATERIAL & FINISH

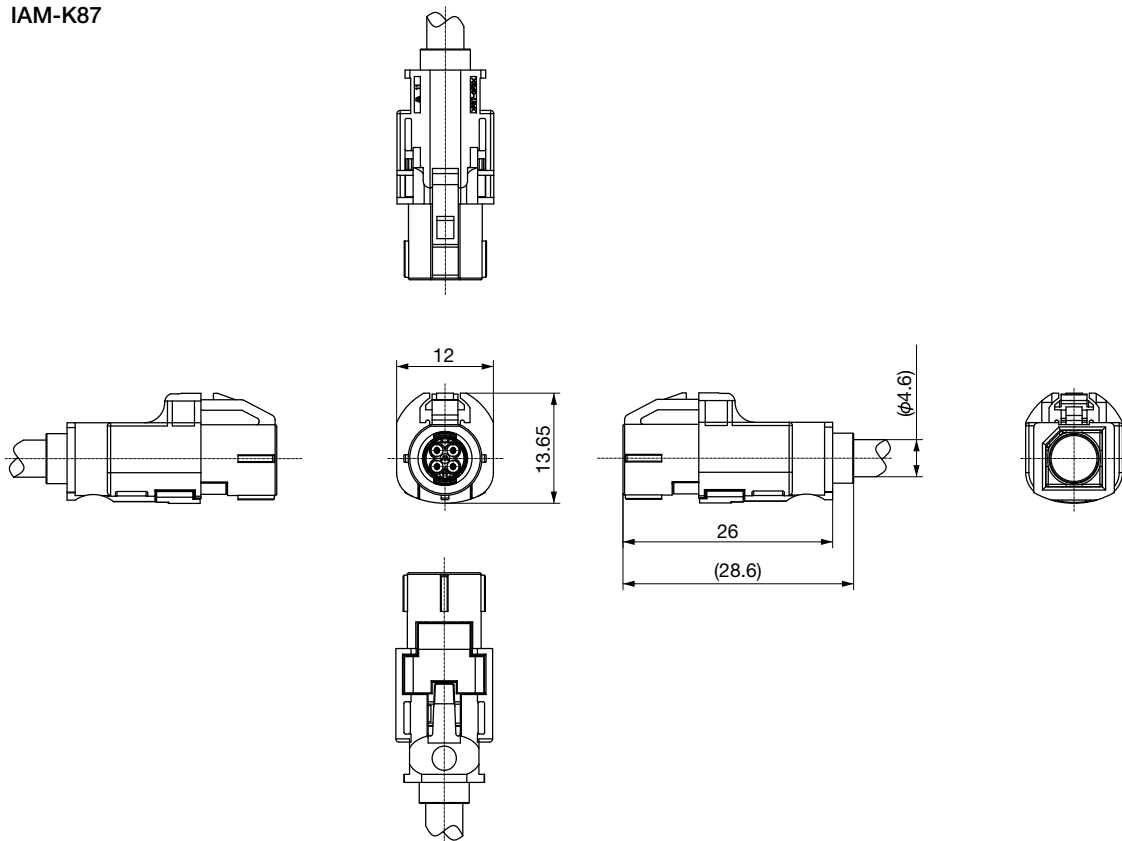
Component Parts		Material	Finish
IAM-K88 Straight Plug	Signal Pin	Copper alloy	Gold selective plating
	Insulator	LCP resin	Black
	Coded Housing	PBT resin	Corresponds to each coding
	Secondary Lock	PBT resin	Pink
	Outer Conductor	Zinc alloy	Ni plating
	Spring Basket	Copper alloy	Ni plating
	Support Crimp	Copper alloy	Tin reflow plating
IAM-K87/L53 Straight Jack	Signal Pin	Copper alloy	Gold selective plating
	Insulator	LCP resin	Black
	Coded Housing	PBT resin	Corresponds to each coding
	Secondary Lock	PBT resin	Pink
	Outer Conductor	Zinc alloy	Ni plating
	Spring Basket	Copper alloy	Ni plating
	Support Crimp	Copper alloy	Tin reflow plating
IAM-J15 U/L/R/AP2 Angle Jack	Signal Pin	Copper alloy	Gold selective plating
	Insulator	PBT resin	Black
	Coded Housing	PBT resin	Corresponds to each coding
	Outer Conductor	Zinc alloy	Ni plating
	Spring Basket	Copper alloy	Ni plating
	Support Crimp	Copper alloy	Tin plating
IAM-L69 Angle	Signal Pin	Copper alloy	Gold selective plating
	Insulator	LCP resin	Black
	Coded Housing	PBT resin	Corresponds to each coding
	Secondary Lock	PBT resin	Pink
	Outer Conductor	Zinc alloy	Ni plating
	Spring Basket	Copper alloy	Ni plating
	Support Crimp	Copper alloy	Tin reflow plating
	Press Cap	Copper alloy	Tin reflow plating
	Power pin	Copper alloy	Gold selective plating
	Retainer	PBT resin	Pink
IAM-L54 Straight	Signal Pin	Copper alloy	Gold selective plating
	Insulator	LCP resin	Black
	Coded Housing	PBT resin	Corresponds to each coding
	Secondary Lock	PBT resin	Pink
	Outer Conductor	Zinc alloy	Ni plating
	Spring Basket	Copper alloy	Ni plating
	Support Crimp	Copper alloy	Tin reflow plating
	Power pin	Copper alloy	Gold selective plating
	MQS housing	PBT resin	Black

DIMENSIONS

IAM-K88



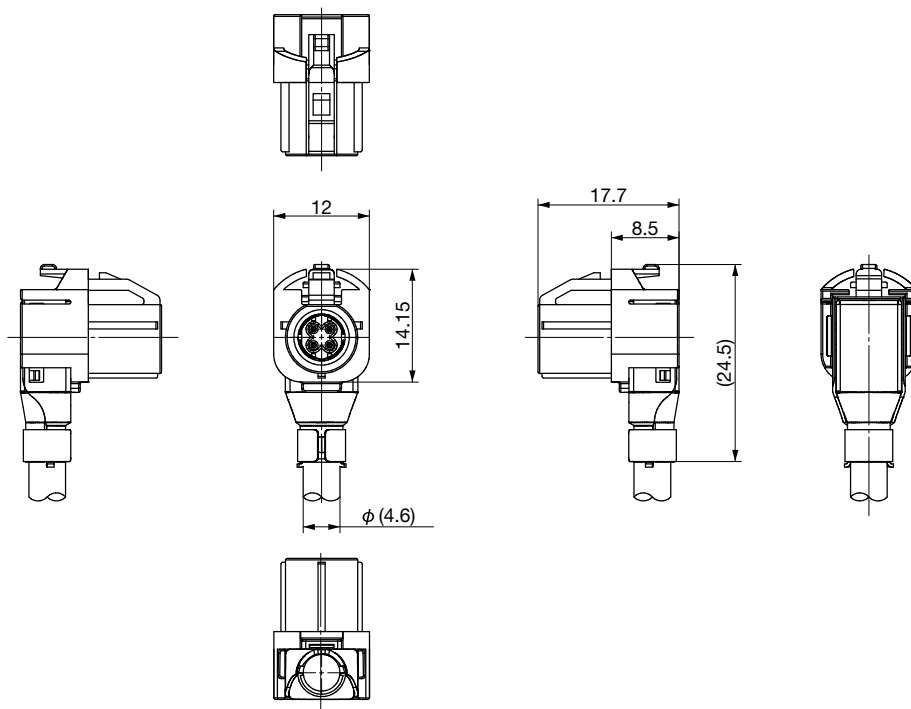
IAM-K87



Unit : mm

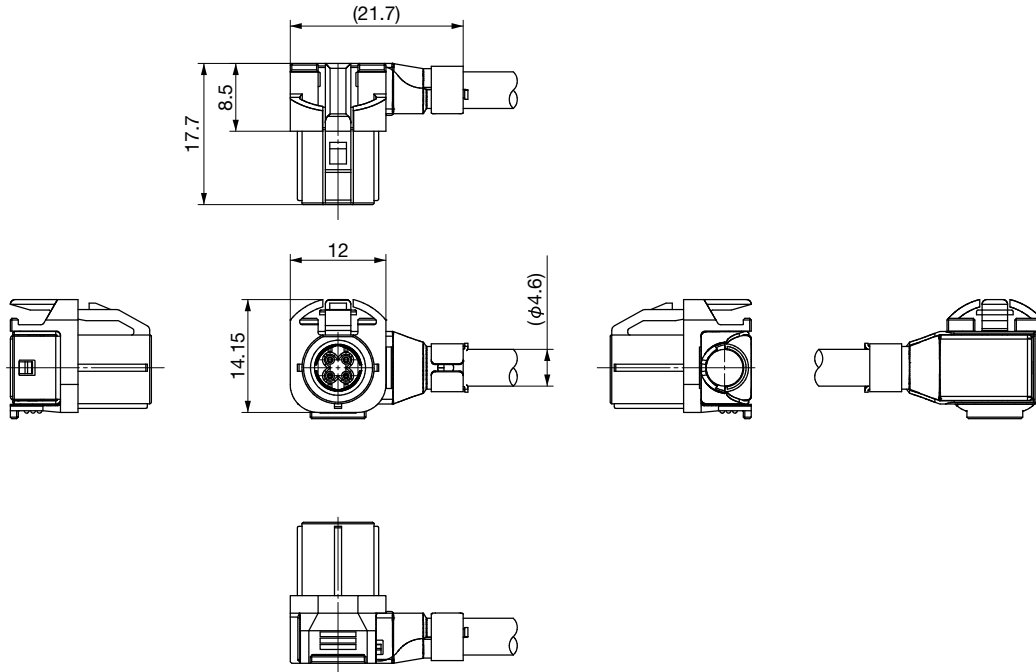
• Any products mentioned in this catalog are subject to any modification in their appearance and others for improvements without prior notification.
 • The details listed here are not a guarantee of the individual products at the time of ordering. When using the products, you will be asked to check their specifications.

IAM-J15U

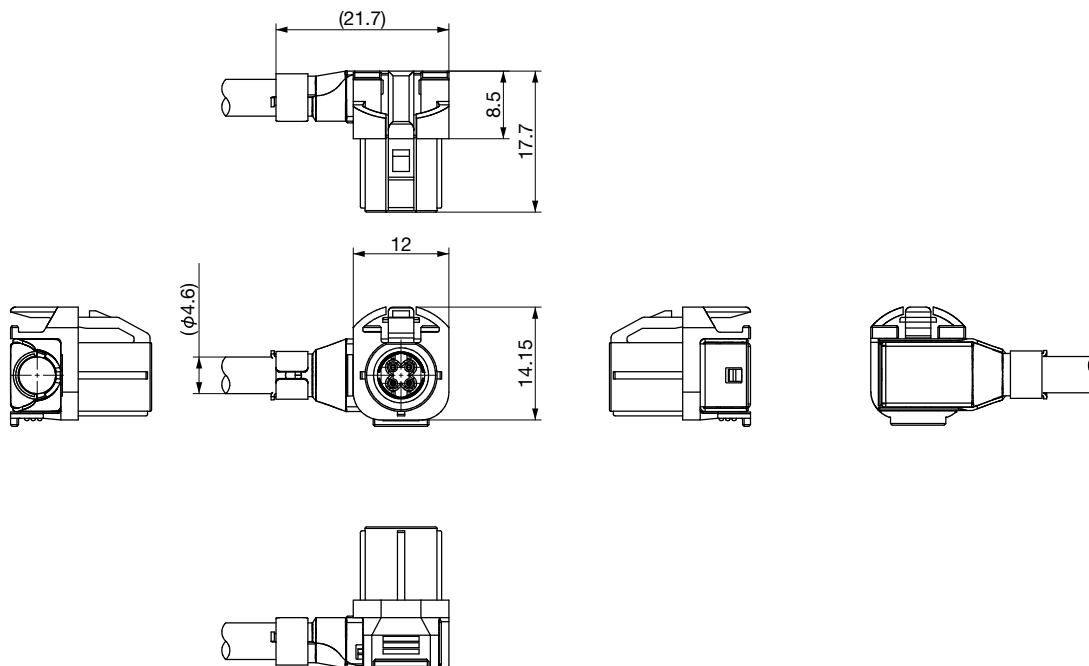


Unit : mm

IAM-J15L

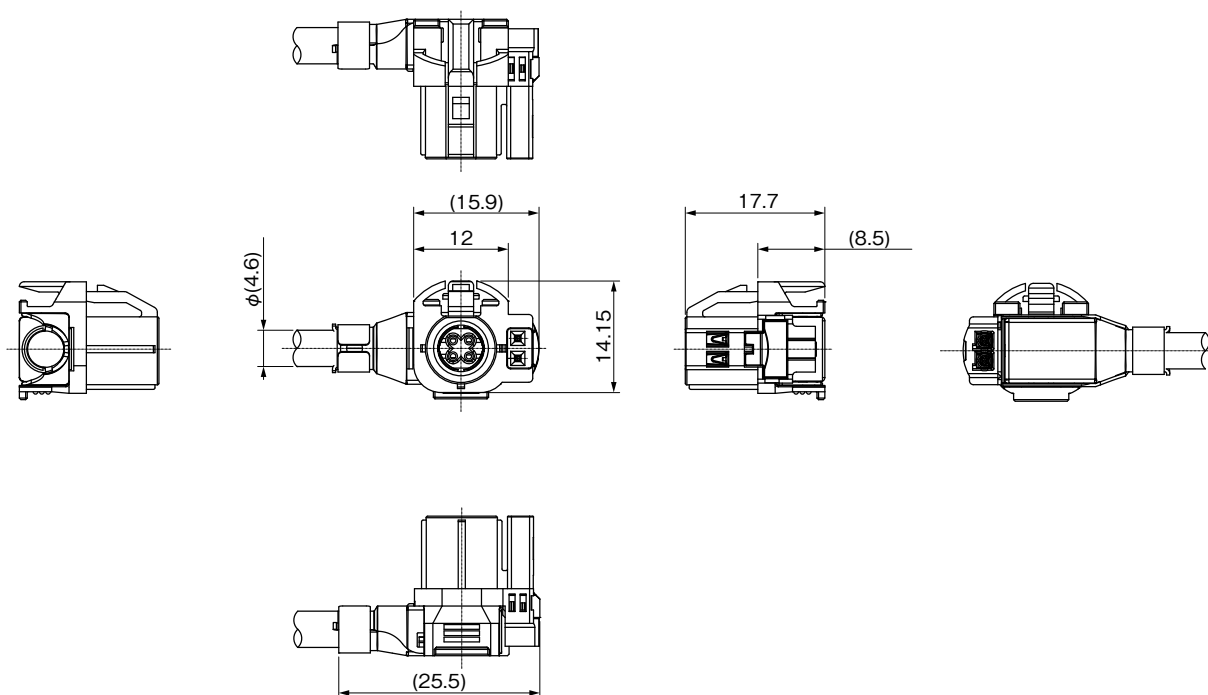


IAM-J15R



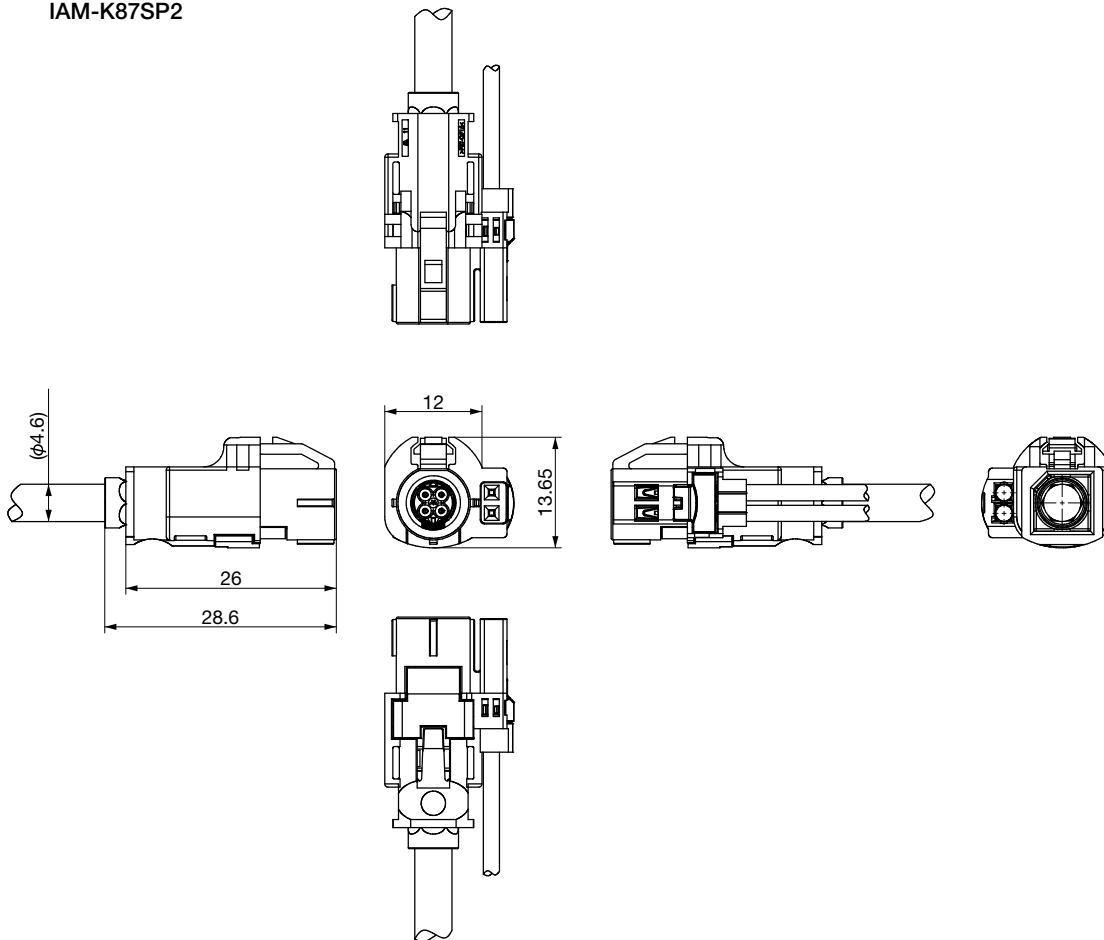
Unit : mm

IAM-J15AP2



Unit : mm

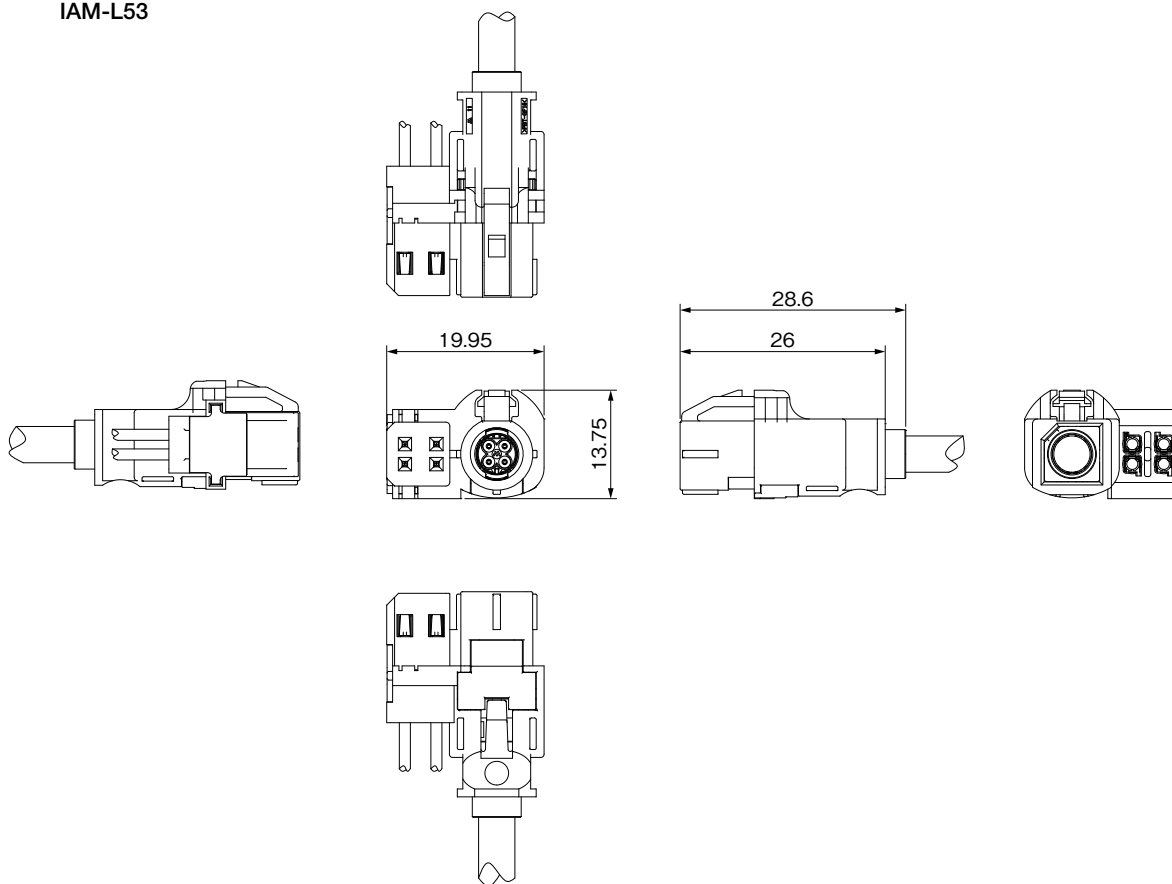
IAM-K87SP2



Unit : mm

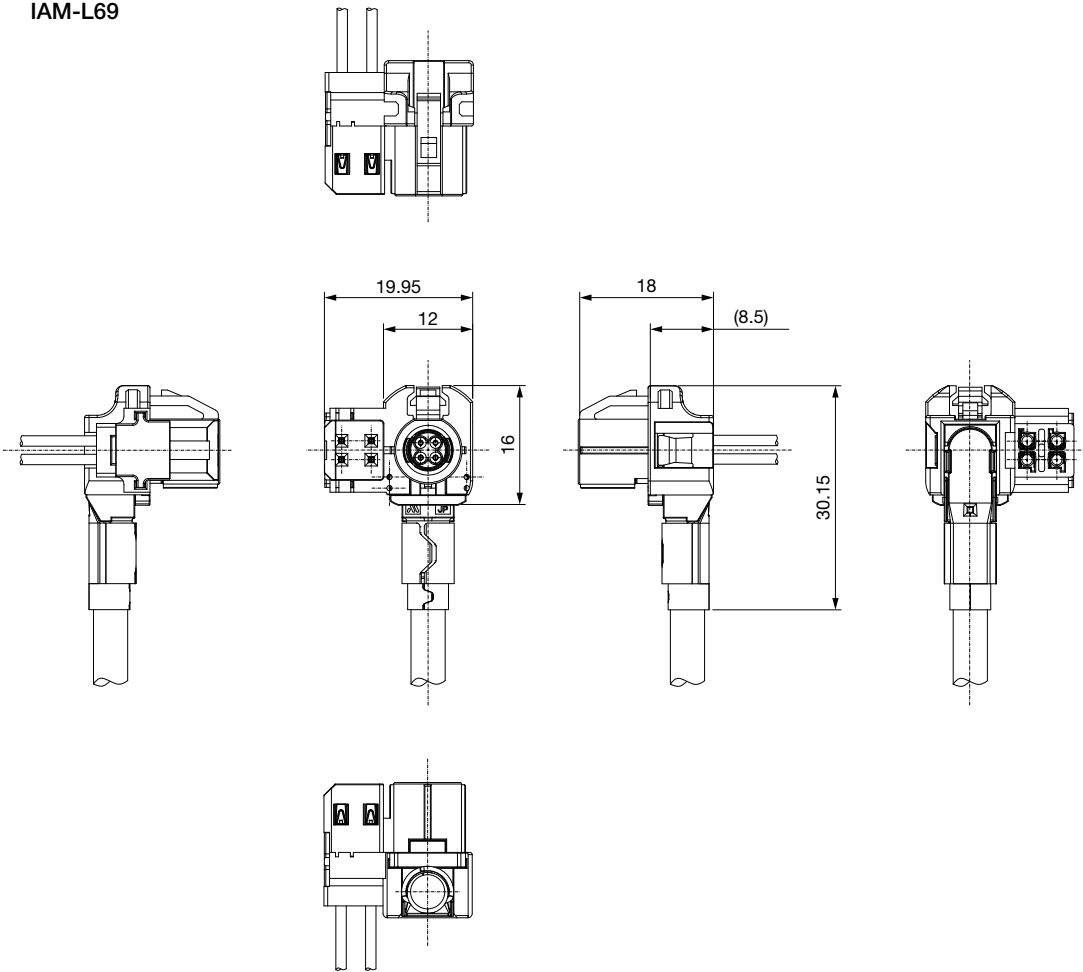
• Any products mentioned in this catalog are subject to any modification in their appearance and others for improvements without prior notification.
• The details listed here are not a guarantee of the individual products at the time of ordering. When using the products, you will be asked to check their specifications.

IAM-L53



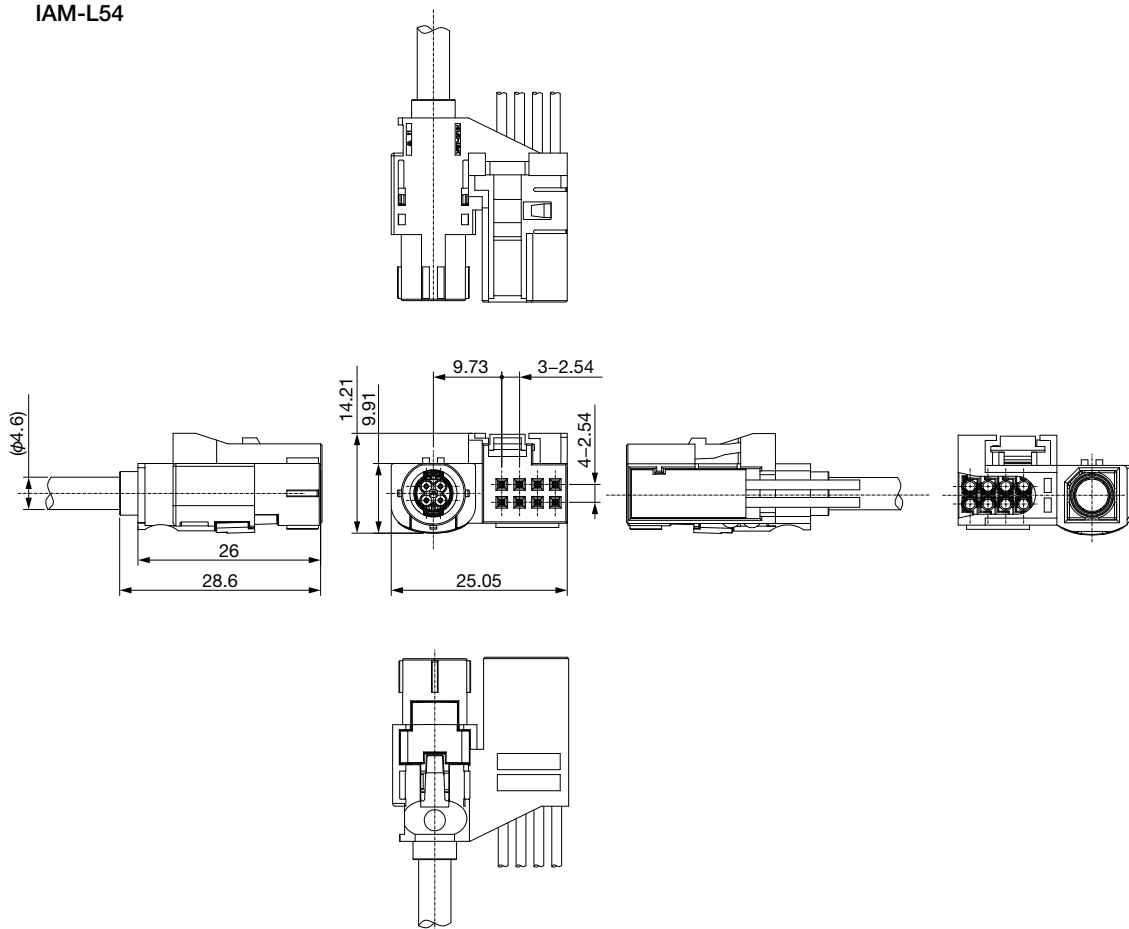
Unit : mm

IAM-L69



Unit : mm

IAM-L54



Unit : mm

• Any products mentioned in this catalog are subject to any modification in their appearance and others for improvements without prior notification.
 • The details listed here are not a guarantee of the individual products at the time of ordering. When using the products, you will be asked to check their specifications.